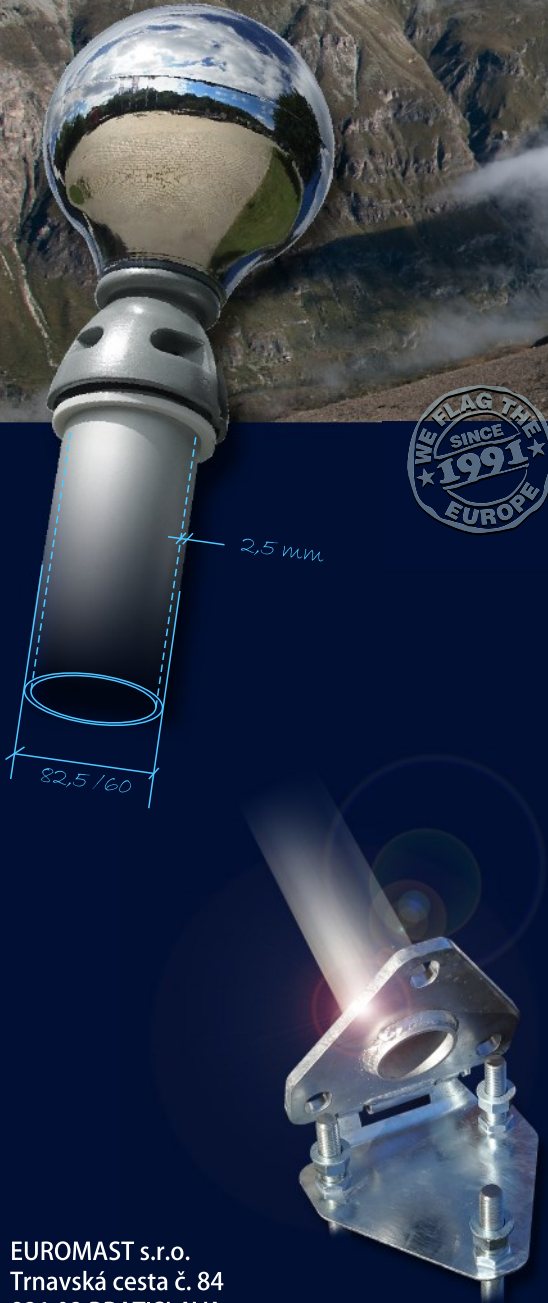


Top-level advertising



Euromast aluminum flagpoles are characterized by the high level of workmanship and their very high quality. Their modern design goes hand-in-hand with certified materials. Euromast's long-time experience with flags guarantees functionality and confidence.

Euromast flagpoles:

- EN AW6005A alum. alloy with increased T6 tensile strength
- tensile strength (Rm/Rp) up to 290 / 243 MPa
- aluminium surface protection (anodic oxidation)
- variability of use (4 types)
- modern, aesthetic design
- stainless steel components
- anchoring nuts with decorative covers against corrosion
- type label for warranties claims and easy ordering of parts
- easy transport and installation
- accessories and spare parts in stock for immediate shipping

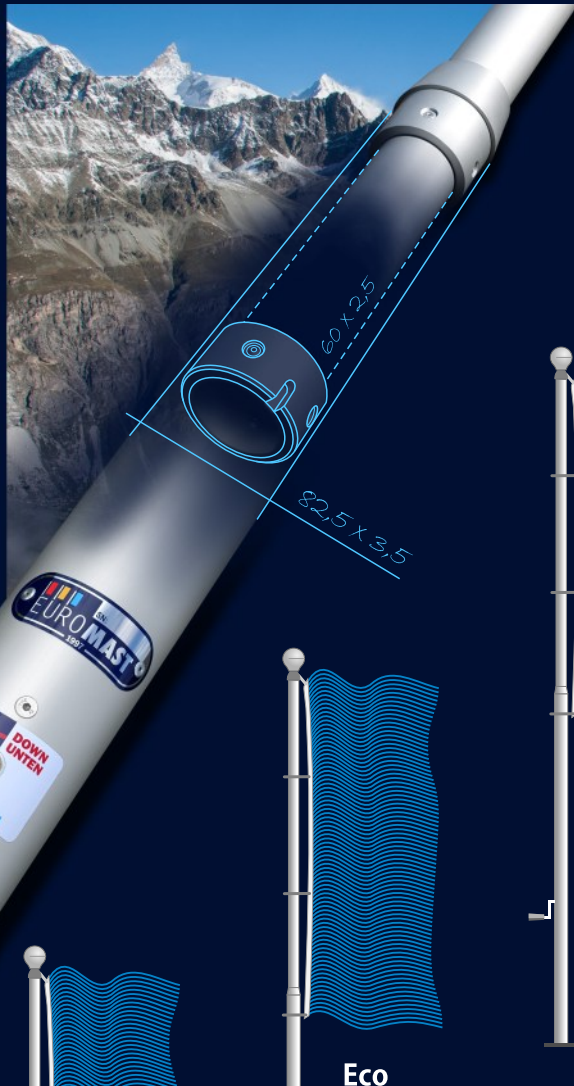
EUROMAST s.r.o.
Trnavská cesta č. 84
821 02 BRATISLAVA
Slovak Republic

email: info@euromast.sk
web: www.euromast.sk



tel.: +421/ 2/ 49 20 20 90
fax: + 421/ 2/ 49 20 20 91
mobil: + 421/ 905 720 740





Standard



- external halyard system
- stainless steel cleat
- tilting anchor



Eco



- internal halyard system
- door with lock
- tilting anchor



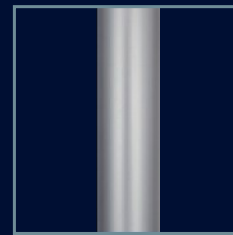
Exclusive



- internal halyard system
- removable crank handle
- tilting anchor



Banner

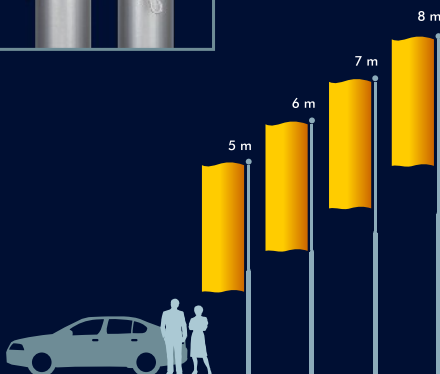


Mobile Banner arm for Eco / Exclusive

- rope-free system
- tensioning arm
- tilting anchor



tilting anchor



height:	5 m	6 m	7 m	8 m
weight:	13 kg	15 kg	17 kg	19 kg
base (diameter x wall):	82,5 x 3,5 mm			
top (diameter x wall):	60 x 2,5 mm			
top finial:	silver ball			
tilting anchor:	3 x M20 thread bars			

Pole weight specified without anchoring and flag counterweight.